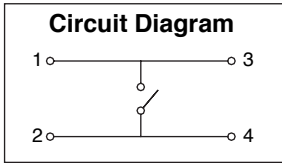
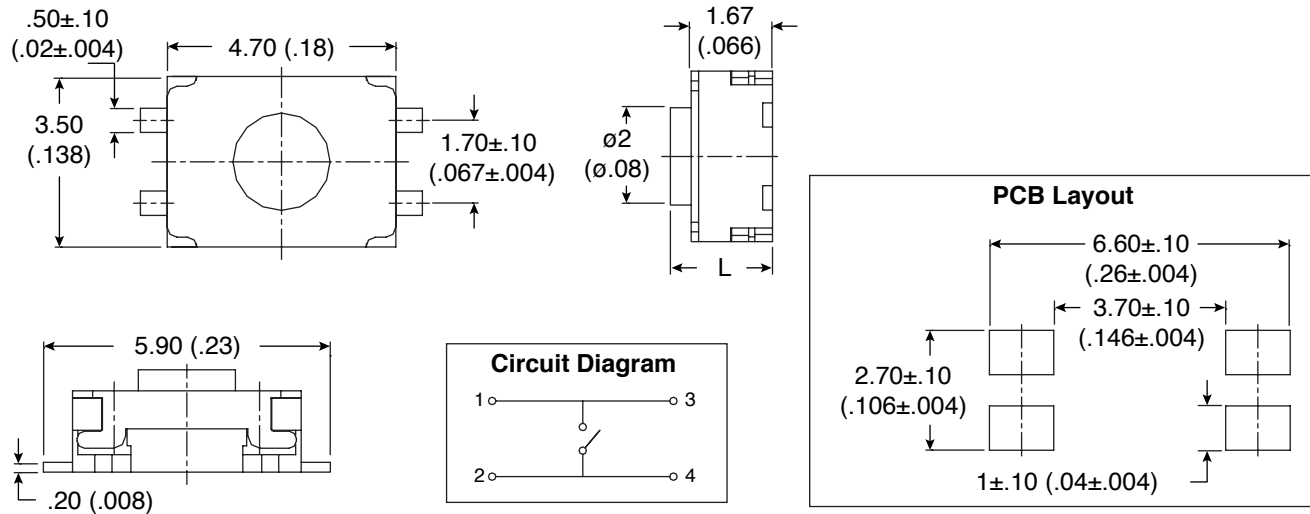


Dimensions: mm (In)



Mechanical Specifications:

- Operation Force: 160 ± 50 gf
- Stroke: $0.20 + 0.1$ mm
- Operating Temperature: -25°C to $+70^{\circ}\text{C}$
- Storage Temperature: -30°C to $+80^{\circ}\text{C}$
- Type: SPST

Electrical Specifications:

- Electrical Life: 100,000 cycles min.
- Rating: 50mA/12VDC
- Contact Resistance: 100m Ω max.
- Insulation Resistance: 100M Ω min. 500VDC
- Dielectric Strength: 250VAC/ minute

Materials:

- Cover: Stainless steel
- Contact disc: Stainless with silver cladding
- Terminal: Brass with silver plating
- Base: LCP High-temp thermoplastic; Color: Black
- Stem: LCP High-temp thermoplastic; Color: Black
- Adhesive Tape: Teflon

Note:

- RoHS compliant and process compatible with 260° solder

Mouser Stock No.	L
101-TS5022T1601-EV	2.10 (.083)
101-TS5022T1602-EV	2.50 (.098)

Tactile Switches (SMT)

101-TS5022T1601-EV

101-TS5022T1602-EV

